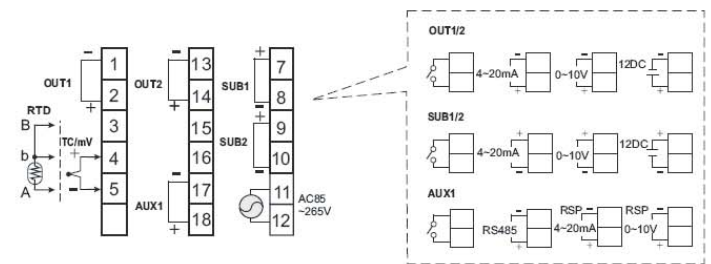


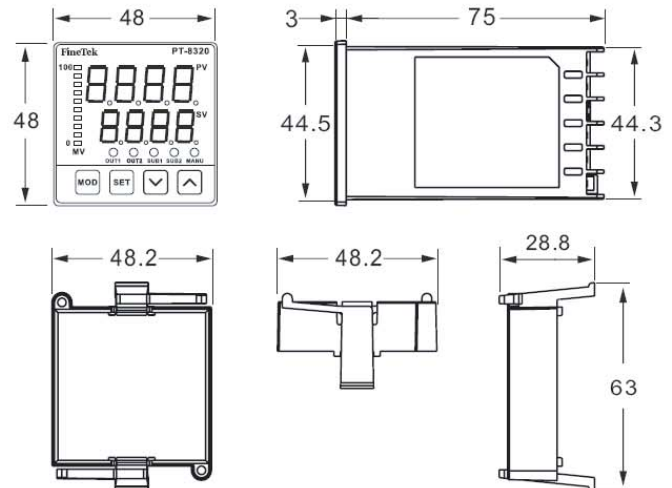
# PT-8 Series Microprocessor Temperature Controller Meters

NEW

## Drawing for Terminal



## Product Dimension

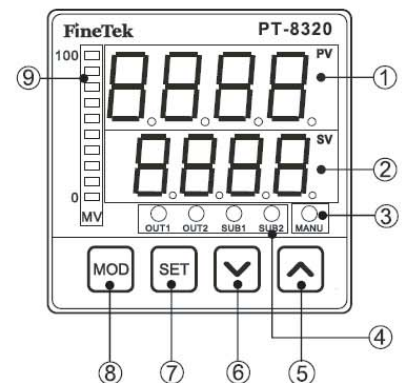


## Product Feature

- Operation Power Supply: 85-265Vac Universal Power.
- Dual 4 digits LED display, user friendly.
- Bargraphic display for Output Value.
- Variety of Input Signal Available: T/C, 230mA, 0-10Vdc, 4-20mA.
- 9 types of Alarm Modes available for selection.
- Alarm for breaking down heater as a protection.
- CT display and setting for heating system. Star up function for Alarm.
- Manual operation for Output value available.
- Control Output (Relay, analogues, pulse voltage output etc.)
- Auxiliary Output Contacts for extending products' functions.
- Analogue Output to re-transmit for remote display.
- Lockable category function for convenient management
- SV Remote setting function.
- Software Filter Function for increasing the stability of the meter.
- Editable PT83XX-P Series for 8 types of control modes; each mode can set at 8 segments of temperature raising and maintenance through connecting to 64 types of control modes.

## Description of Panel

- ① Measured Value (PV) display
- ② Set Value (SV) display
- ③ Indicator for Manual Operation
- ④ Indicator for Output
- ⑤ "UP" key
- ⑥ "DOWN" key
- ⑦ Set key
- ⑧ MOD key
- ⑨ Bargraph indicator



## Product Specification

<b>Power Supply</b>	85~265Vac, 50/60Hz	<b>Dwell Timer</b>	0~99s
<b>Consumed Factor</b>	7VA (Max.)	<b>Hysteresis</b>	0~9999°C
<b>Display</b>	Upper row: (red) 4 digits 0.36" 7 segment Lower row: (green) 4 digits 0.28" 7 segment	<b>Communication</b>	RS485(MODBUS)
<b>Input</b>	Thermocouple: J, K, B, N, R, S, T, E RTD: PT100, JPT100 DC Voltage: 0~230mV, 0-10Vdc AC Voltage: 4~20mA	<b>Operating Conditions</b>	0~50°C (20~85% RH)
<b>Control Output</b>	Output Relay 1: (resistive load) SPST-NO, 5A/250Vac Voltage pulse output: (for SSR drive) NPN, >11Vdc with max. 20mA Analog Output: 4~20mA, 2~10Vdc (Allowable load resistive: Max. 600Ω)	<b>Control Output Cycle</b>	0~50.0s
<b>Alarm Output</b>	SPST-NO, 5A/250Vac	<b>Decimal Point</b>	0~3 digits
		<b>Digital Filter</b>	1~100
		<b>Control method</b>	ON/ OFF or PID+Fuzzy (Auto Tuning)
		<b>Input Offset</b>	-1999~9999
		<b>Fraction Value</b>	0.0~999.9
		<b>Settings Range</b>	-1999~9999
		<b>Accuracy</b>	0.3%FS ± 1 digit
		<b>Sampling Time</b>	400 ms
		<b>Memory</b>	EEPROM

## Ordering Information

P T - 8 3 □ □ - S □ - □ □ □ □ - ( □ □ □ □ ) - ( P )

<b>Enclosure</b>	20---48x48 31---48x96 30---96x48 40---72x72 50---96x96 (Estimating 30, 31, 40, 50, are going to be available in 2007 Quarter 4)	▲ ▲																		
<b>Input Types</b>	0---T/C & PT & 0~230mV 1---4~20mA 2---0~10VDC																			
<b>OUT/SUB Selection</b>	0---None 1---5A RELAY 2---4~20mA DC	3---0~10VDC Output 4---Voltage pulse output (12Vdc) 5---0~5VDC			OUT1	OUT2	SUB1	SUB2												
<b>Function Selection</b>	0---RS485 1---CT 2---RSP(0~10V) 3---RSP(0~20mA) 4---Event	48*48 is available for AUX 1 only									AUX1									
	1---CT 2---RSP(0~10V) 3---RSP(0~20mA) 4---Event											AUX2	AUX3	AUX4						
	P---Profiler(Ramp/Soak)																			

JIN ZON ENTERPRISE CO., LTD.

4F-3, No. 171, Sec. 2, Chang An E. Rd., Taipei, Taiwan, R. O. C.

TEL: 886-2-27111093~5 FAX: 886-2-27310902

E-mail: jinzon@ms2.hinet.net Http:// www.jinzon.com.tw/